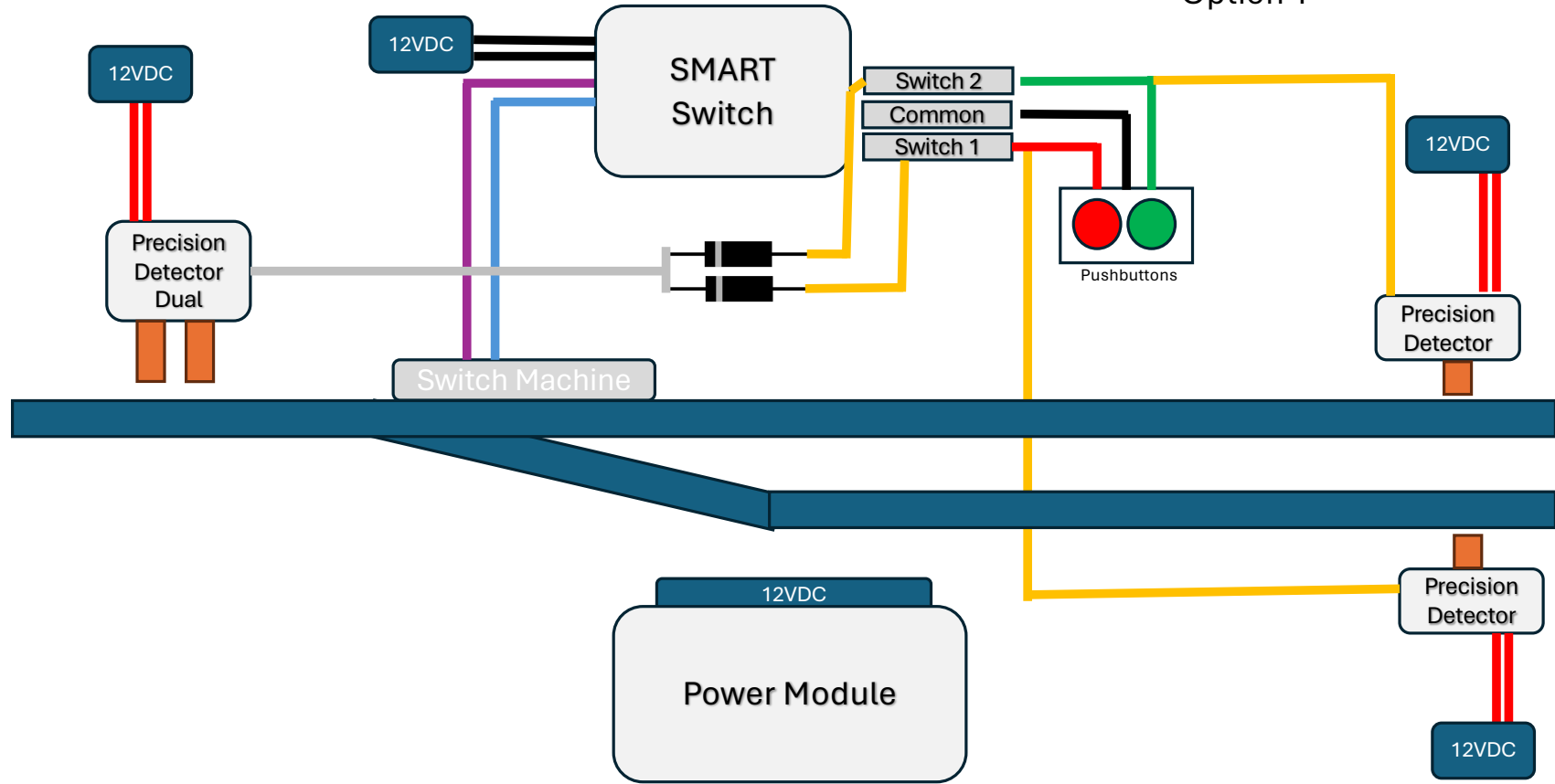




Protecting your Turnouts – avoiding derailments

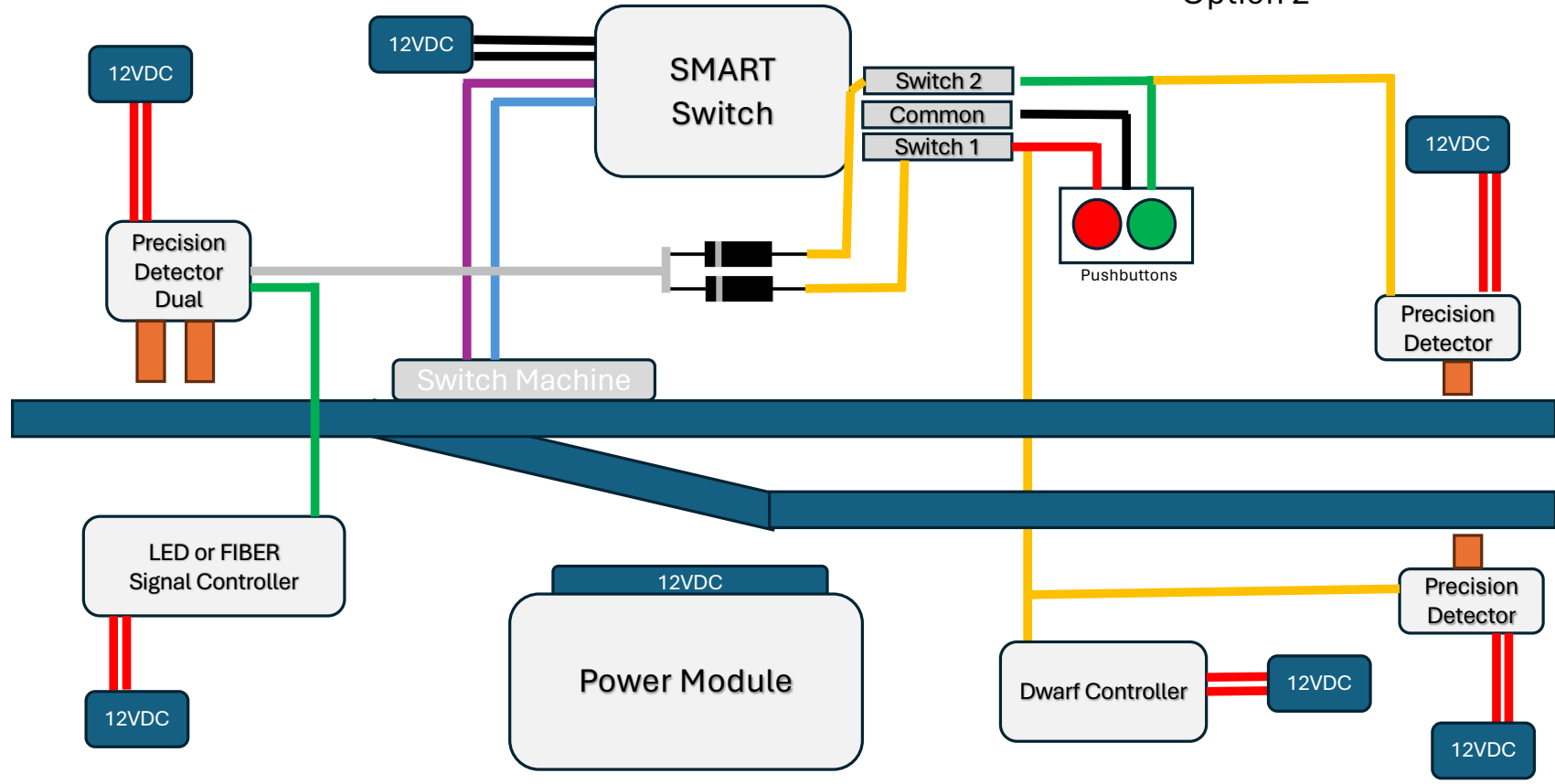
Option 1





Protecting your Turnouts – avoiding derailments

Option 2





Protecting your Turnouts – avoiding derailments

Option 3

